

# PERMA-COLUMN®

WWW.NEWPOLEBARN.COM



Deliver



Place



Set Column



Attach Splash Board



## — "THE PERMANENT SOLUTION" —

Why should you have to choose between a foundation that is **economical** and one that is **permanent**? PERMA-COLUMNS® are the first product to combine the economy and speed of post-frame construction with the durability of a concrete foundation.

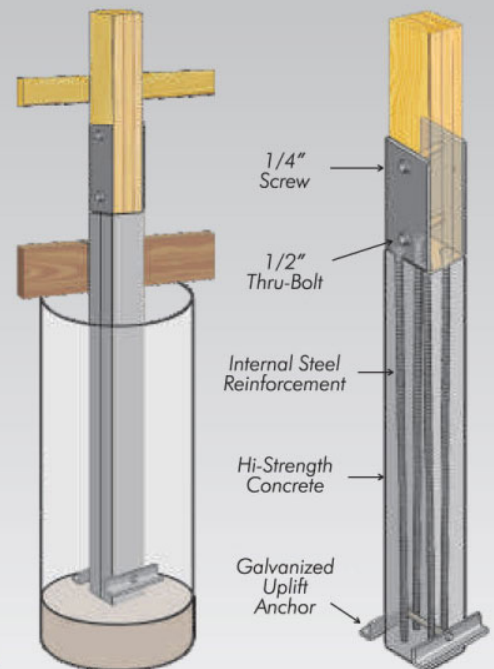
**Proven** - Concrete is the most proven and durable foundation material known to man!

**Economical** - PERMA-COLUMNS are the most economical method of constructing a post-frame building on concrete!

**Safe** - PERMA-COLUMNS are safe and have no harsh chemicals or preservatives like treated wood!

A building is only as permanent as the foundation on which it is built.

**What are YOU building on?**



POST FRAME BUILDINGS

OFFICE: 717-650-2269 FAX: 1206-888-2494  
1147 NORTH GEORGE ST. YORK, PA 17404

WWW.NEWPOLEBARN.COM  
NEWPOLEBARN@GMAIL.COM

## I. REVOLUTIONARY DESIGN

- ✦ PERMA-COLUMNS are the first product to combine the economy of post-frame construction with the durability of a concrete foundation.
- ✦ The exclusive design of the PERMA-COLUMN is patented.

## II. TECHNICAL SPECIFICATIONS

- ✦ The latest in SCC pre-casting technology creates a product with three times the strength of regular concrete.
- ✦ Polymer fiber reinforcement and premium grade steel reinforcement dramatically enhance flexural strength.
- ✦ Corrosion inhibitors protect internal steel reinforcement.
- ✦ Air entraining admixtures insure resistance to harsh freeze-thaw cycles.

## III. INVESTMENT SECURITY

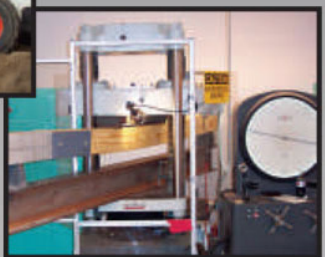
- ✦ PERMA-COLUMNS keep wood out of the ground ensuring that your building's foundation will never rot.
- ✦ PERMA-COLUMNS protect your building investment by securing its value for a lifetime.

## IV. ENVIRONMENTAL SAFETY

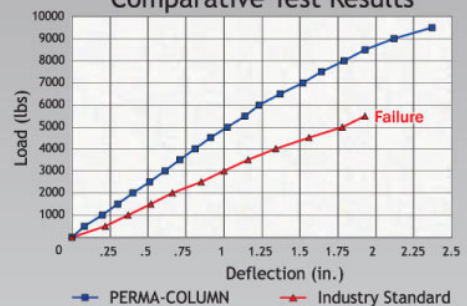
- ✦ PERMA-COLUMNS do not use the harsh chemicals found in treated lumber, which are being phased out by the EPA.
- ✦ Using an environmentally friendly product promotes peace of mind.

## V. STRENGTH DATA

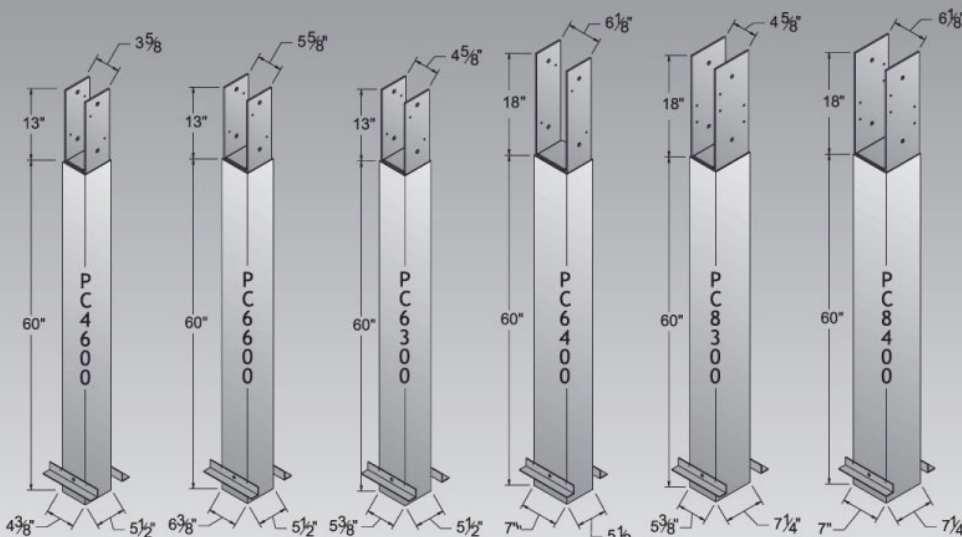
- ✦ PERMA-COLUMNS have been tested by The University of Wisconsin. Design manuals are available by request.
- ✦ In comparative strength tests performed by Purdue University, PERMA-COLUMNS have proven to outperform the industry standard.



Comparative Test Results



## 6 MODELS TO MEET YOUR NEEDS



- PC4600** - for use in 4" X 6" wood post replacement
- PC6600** - for use in 6" X 6" wood post replacement
- PC6300** - for a 3 ply 2" X 6" laminated wood column
- PC6400** - for a 4 ply 2" X 6" laminated wood column
- PC8300** - for a 3 ply 2" X 8" laminated wood column
- PC8400** - for a 4 ply 2" X 8" laminated wood column

\*Consult a design professional for appropriate model.



POST FRAME BUILDINGS

WWW.NEWPOLEBARN.COM  
NEWPOLEBARN@GMAIL.COM